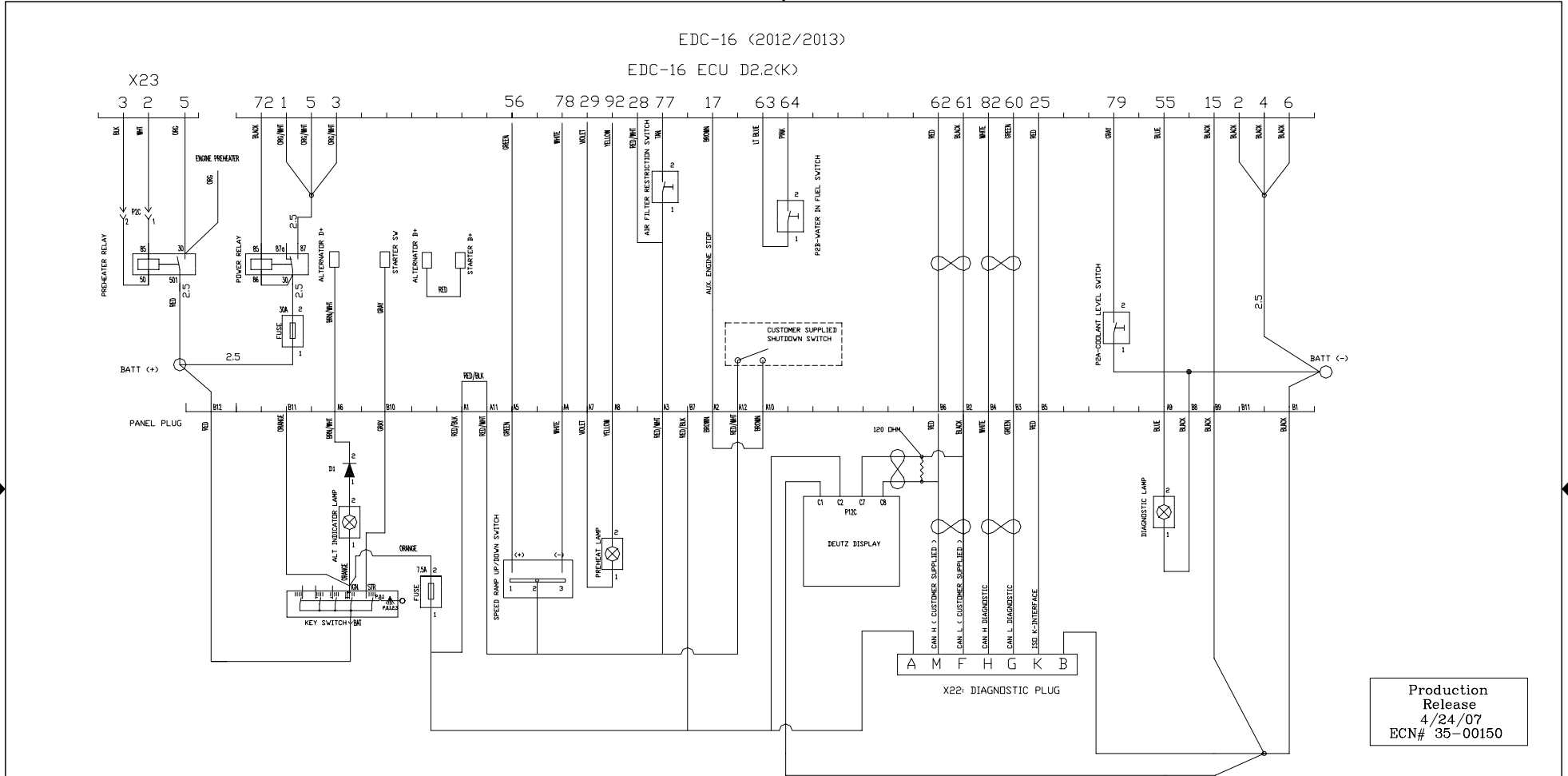


EDC-16 (2012/2013)

EDC-16 ECU D2.2(K)



Production Release
4/24/07
ECN# 35-00150

"PANEL # 9990638"
"HARNES # 9990656"

THIS DRAWING CONTAINS CONFIDENTIAL INFORMATION AND SHALL NOT BE USED, REPRODUCED OR DISCLOSED WITHOUT THE WRITTEN CONSENT OF DEUTZ CORPORATION.		UNLESS OTHERWISE SPECIFIED	
CORNERS PER DIN 6784	MATERIAL	GEOMETRIC TOLERANCES PER ISO 1101 AND DIN 7167	SURFACE TEXTURE PER ISO 1302
DEUTZ	DATE PAS 6/27/06	PROJECT/ASSEMBLY ENG TO PANEL	SCALE N/A
DRAWN	CHECKED	SHEET A	ECN ORIGIN 35-00150
TITLE SCHEMATIC ELECTRONIC		DRAWING	
REPLACES		DEUTZ CORPORATION ATLANTA, GA USA	
① REDRAWN WITH CHANGES	4/24/07	GW.B	DATE BY
NO. ECN REVISION #	DATE	BY	