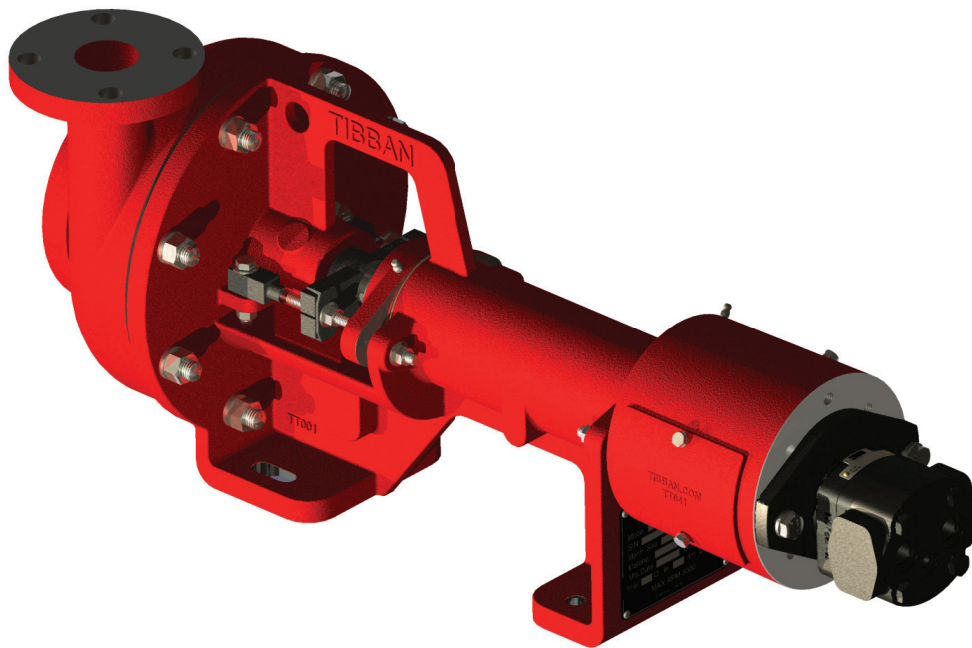


# 118 Centrifugal Pump



Concentric housing design is available in right hand or left hand operation. It reduces turbulence within the pump to minimize cavitation, shaft deflection, and excessive wear. The semi open impeller is designed to handle water or heavy slurries with equal efficiency. Replaceable wear plates protects the pedestal from wear and corrosion caused by fluids being pump, therefore, extending the life of the pump. The beefed-up frame design is stronger and more rigid in all wear areas. It gives a larger work area to facilitate packing the pump, which cuts repacking time. Heavy duty bearings are well protected by oil seals and water slinger designed to keep fluid and dirt out of the bearing cavity. Eccentric locks are used so the shaft can be easily removed without special tools.

